

## SINGLE-PHASE AUTOTRANSFORMERS ATM range

*AN-type air cooling, suitable for indoor installation.*

*Copper windings.*

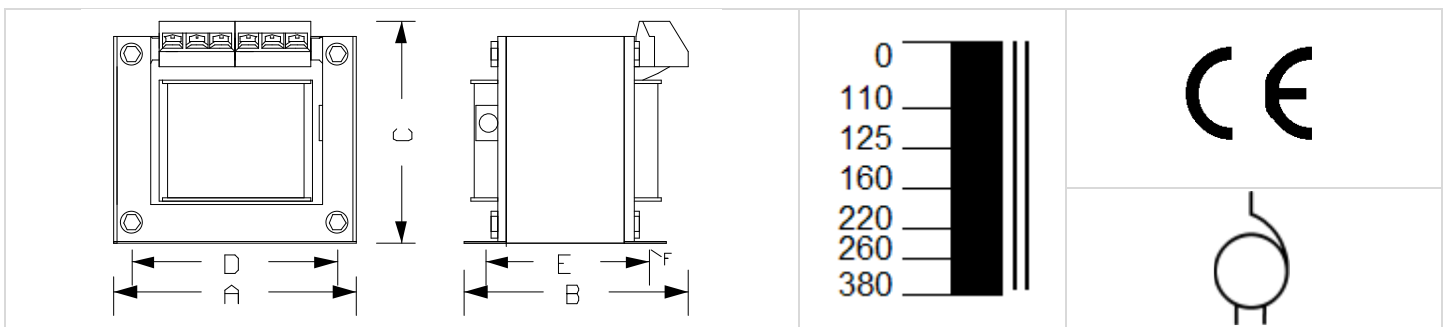
*Single winding with intermediate taps, resin impregnated and tropicalized*

The autotransformer has only one winding that works as a primary and secondary, so we have no galvanic insulation between input and output, but electric continuity. Autotransformers are cost-effective machines the closer to 1 is the ratio of the minimum voltage to the maximum. In the convenience calculation, it is necessary to take into account the high performance and low operating losses in relation to a separation transformer of equal power.



### TECHNICAL SPECIFICATION

Rated power:	<b>0.1KVA to 5KVA</b>
Input voltage:	<b>110-125-160-220-260-380Vac single phase</b>
Output voltage:	<b>380-260-220-160-125-110Vac single phase</b>
Service:	<b>Continuous</b>
Frequency:	<b>50/60 Hz</b>
Dielectric strength (winding to earth):	<b>&gt; 3kV</b>
Isolation class:	<b>E</b>
Degree of protection:	<b>IP00</b>
Protection class:	<b>I</b>
Ambient temperatures	<b>-5°C +40°C</b>
Maximum noise level at 1m.	<b>&lt; 60 dB (A) @ 1m</b>
Relative humidity	<b>50% - 95%</b>
Operating altitude without power reduction:	<b>up to 1000 m.</b>
Applied standards:	<b>EN61558-2-13</b>



### INCLUDED OPTIONAL

Rating plate	<b>SI</b>
Wiring on terminal blocks	<b>SI</b>

Dimensions and weight may be subject to a change without notice

**K-FACTOR SRL unipersonale - Via Giotto 9 - 42014 Castellarano (RE) - Italy - VAT# IT 02422010369**

R.E.A. of Reggio Emilia: n. 286968 - Company registration number of RE: 02422010369

Tel +39-0536261380 - e-mail: info@kfactor.it - http://www.kfactor.it/en

**ATM SERIES SINGLE-PHASE AUTOTRANSFORMERS**

POWER VA	PART NO.	dimensions mm.						Weight kg.	box code
		A	B	C	D	E	F		
100	ATM029	87	80	97	71	48	5	1.55	<a href="#">MBT01</a>
200	ATM059	87	90	97	71	63	5	2.05	<a href="#">MBT01</a>
300	ATM079	101	88	107	82	63	5	2.55	<a href="#">MBT01</a>
500	ATM119	125	109	131	99	81	6	4.50	<a href="#">MBT01</a>
750	ATM169	125	117	131	99	91	6	5.75	<a href="#">MBT01</a>
1000	ATM179	125	117	131	99	91	6	6.50	<a href="#">MBT01</a>
1500	ATM199	154	135	159	105	104	6	9.80	<a href="#">MBT01</a>
2000	ATM219	154	135	159	105	104	6	10.00	<a href="#">MBT01</a>
3000	ATM249	154	145	159	105	115	6	11.80	<a href="#">MBT01</a>
4000	ATM267	184	170	180	122	125	6	14.20	<a href="#">MBT01</a>
5000	ATM287	184	170	180	122	125	6	17.80	<a href="#">MBT01</a>

**OPTION: INSTALLED IN IP23 METAL ENCLOSURE**


Protection: IP23  
 Wiring access from the side  
 Suitable for wall and floor mounting

Part no	Rated power	Dimensions mm.	weight KG.
<b>MBT01</b>	---	<b>280x220x220</b>	<b>3</b>

TRANSFORMER COMES MOUNTED IN THE ENCLOSURE

Dimensions and weight may be subject to a change without notice