

ENCLOSURES FOR ELECTRICAL TRANSFORMERS

IP23

IP23 epoxy-painted metal enclosures RAL7035b (for indoor application)

Protection: IP23

Painting: RAL7035b epoxy painted

Cooling slots

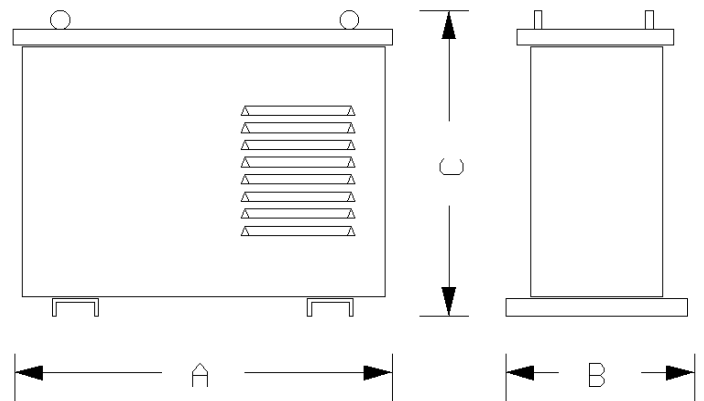
Cable input from the bottom or side

Removable side panel for cable access

Large feet from SAM07 for use with forklift

Provision for forced ventilation from SAM07

SAM07-SAM09 ALSO AVAILABLE IN IP44 VERSION WITH OUTDOOR PAINT



Code	dimensions mm.	Weight Kg
SAM01	290X260X245	12
SAM02	430X290X395	18
SAM03	475X355X495	20
SAM04	550X390X553	25
SAM05	710X440X670	40
SAM07	775X570X825	50
SAM09C	900X640X1030	75
SAM10	1300X1000X1300	110

Dimensions and weight may be subject to a change without notice

K-FACTOR SRL unipersonale - Via Giotto 9 - 42014 Castellarano (RE) - Italy - VAT# IT 02422010369

R.E.A. of Reggio Emilia: n. 286968 - Company registration number of RE: 02422010369

Tel +39-0536261380 - e-mail: info@kfactor.it - <http://www.kfactor.it/en>

ENCLOSURES FOR ELECTRICAL TRANSFORMERS

IP44

IP44 epoxy-painted metal enclosures RAL7035b (for indoors/OUTDOOR)

Protection: IP44

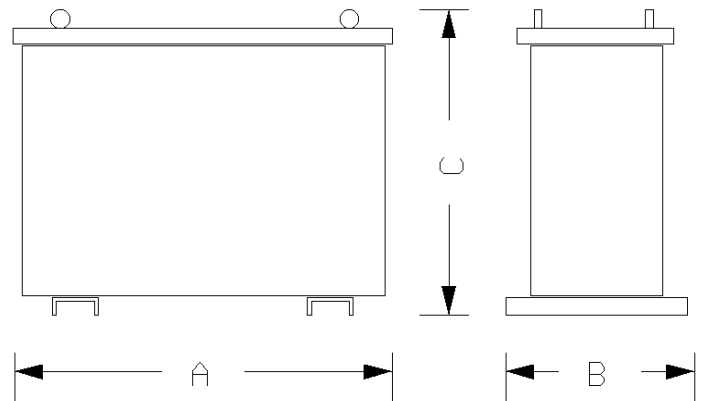
Painting: RAL7035b epoxy painted

Cable input from the side

Removable side panel for cable access

Large feet for use with forklift

forced ventilation (2 fans 120mm. for sam07-44, 4 fans 120mm. for SAM09-44)



Code	dimensions mm.	Weight Kg
SAM07-44	825X570X825	55
SAM09C-44	950X640X1030	80

Dimensions and weight may be subject to a change without notice

K-FACTOR SRL unipersonale - Via Giotto 9 - 42014 Castellarano (RE) - Italy - VAT# IT 02422010369

R.E.A. of Reggio Emilia: n. 286968 – Company registration number of RE: 02422010369

Tel +39-0536261380 – e-mail: info@kfactor.it - <http://www.kfactor.it/en>